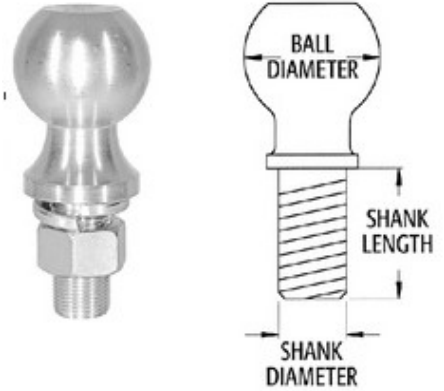


TRAILER HITCH BALLS

PART#	BALL DIAMETER	SHANK DIAMETER	SHANK LENGTH	M.G.T.W.
08-1802103	1-7/8"	5/8"	1-3/4"	2,000
08-1802015	1-7/8"	3/4"	1-1/2"	2,000
08-63814	1-7/8"	3/4"	3-3/8"	2,000
08-1802110	1-7/8"	1"	2-1/8"	2,000
08-63818	1-7/8"	1"	3-3/16"	2,000
08-63824	2"	3/4"	3-3/8"	3,500
08-1802010	2"	3/4"	2-1/8"	3,500
08-1802005	2"	1"	2-1/8"	3,500
08-1802136	2"	1"	2-1/8"	10,000
08-63828	2"	1"	3-3/8"	3,500
08-2191	2"	1-1/4"	2-3/4"	13,000
08-1802026	2-5/16"	1"	2-1/3"	6,000
08-40005	2-5/16"	1"	2-1/8"	7,500
08-1802168	2-5/16"	1-1/4"	2-1/2"	10,000
08-63840	2-5/16"	1-1/4"	2-3/4"	20,000



PART#	DESCRIPTION
08-BC18	Ball Cover (Fits 1-7/8" & 2" Ball)
08-BC2516	Ball Cover (Fits 2-5/16" Ball)
08-B75	Ball Bushing (3/4" Shank to 1" Shank)
08-B8	Ball Bushing (1" Shank to 1-1/4" Shank)

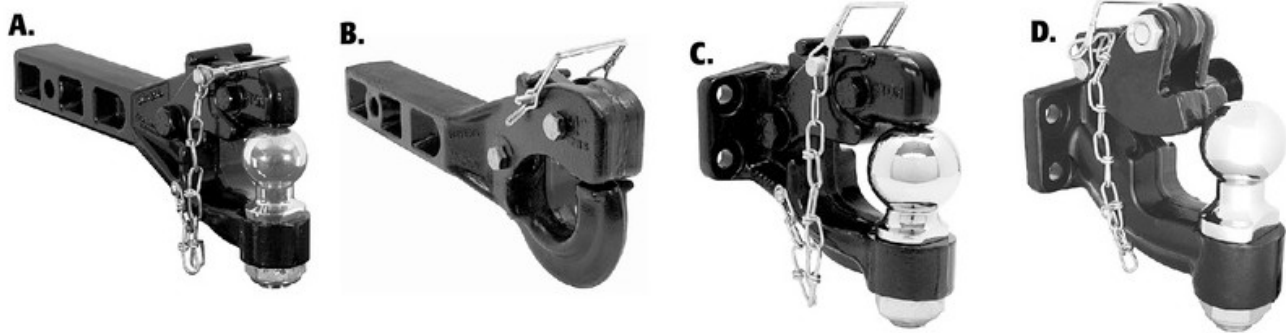


BALLS FOR BUYERS PINTLE HOOKS

PART#	DESCRIPTION
98-1780RB	1-7/8" Replacement Ball for Buyers Products 8-Ton Pintle Hooks
98-2000RB	2" Replacement Ball for Buyers Products' 8-Ton Pintle Hooks
98-2516RB	2-5/16" Replacement Ball for Buyers Products 8-Ton Pintle Hooks
98-RB102000	2" Replacement Ball for Buyers Products 10-Ton Pintle Hooks
98-RB102516	2-5/16" Replacement Ball for Buyers Products 10-Ton Pintle Hooks



BALL HITCHES & PINTLE HOOKS



PART#	DESCRIPTION	BALL SIZE	M.V.L.	M.G.T.W.	STYLE
98-RM62000	6-Ton Receiver Mount Combination Hitch	2"	2,400 lbs	12,000 lbs	A
98-RM62516	6-Ton Receiver Mount Combination Hitch	2 5/16"	2,400 lbs	12,000 lbs	A
98-RM5P	5-Ton Receiver Pintle Hook	—	2,000 lbs	10,000 lbs	B
98-82000WMK	8-Ton Combination Hitch w/Mounting Kit	2"	3,000 lbs	16,000 lbs	C
98-82516WMK	8-Ton Combination Hitch w/Mounting Kit	2 5/16"	3,000 lbs	16,000 lbs	C
98-BH102000	10-Ton Combination Hitch	2"	4,000 lbs	20,000 lbs	D
98-BH102516	10-Ton Combination Hitch	2 5/16"	4,000 lbs	20,000 lbs	D

REPLACEMENT BALLS FOR BUYERS PINTLE HOOKS

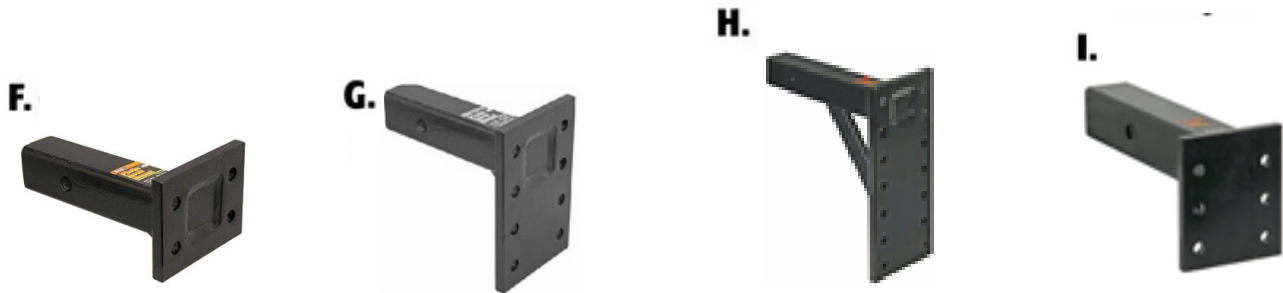
PART#	DESCRIPTION
98-1780RB	1-7/8" Replacement Ball for "A" & "C"
98-2000RB	2" Replacement Ball for "A" & "C"
98-2516RB	2-5/16" Replacement Ball for "A" & "C"
98-RB102000	2" Replacement Ball for "D"
98-RB102516	2-5/16" Replacement Ball for "D"

PINTLE HOOKS



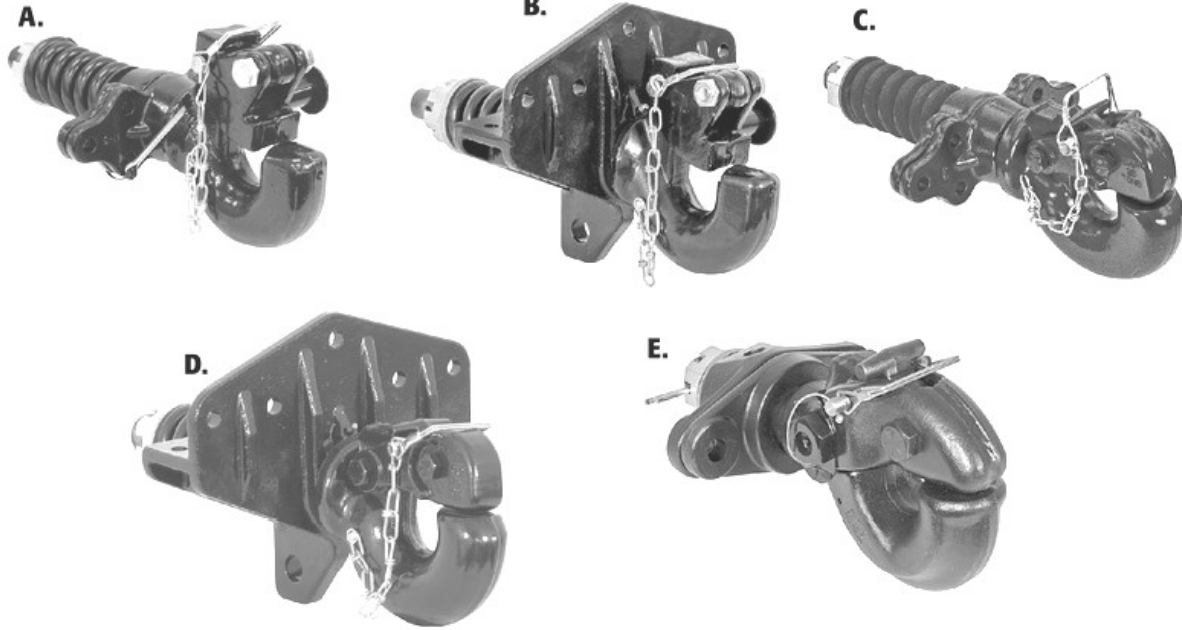
PART#	DESCRIPTION	M.V.L.	M.G.T.W.	STYLE
98-PH5WMK	5-TON Pintle Hook w/Mounting Kit	2,000 lbs	10,000 lbs	A
98-PH8WMK	8-TON Pintle Hook w/Mounting Kit	3,200 lbs	16,000 lbs	B
98-PH15WMK	15-TON Pintle Hook w/Mounting Kit	6,000 lbs	30,000 lbs	C
98-PH20WMK	20-TON Pintle Hook w/Mounting Kit	8,000 lbs	40,000 lbs	D
98-PH30	30-TON Pintle Hook	15,000 lbs	60,000 lbs	E

PINTLE MOUNTS



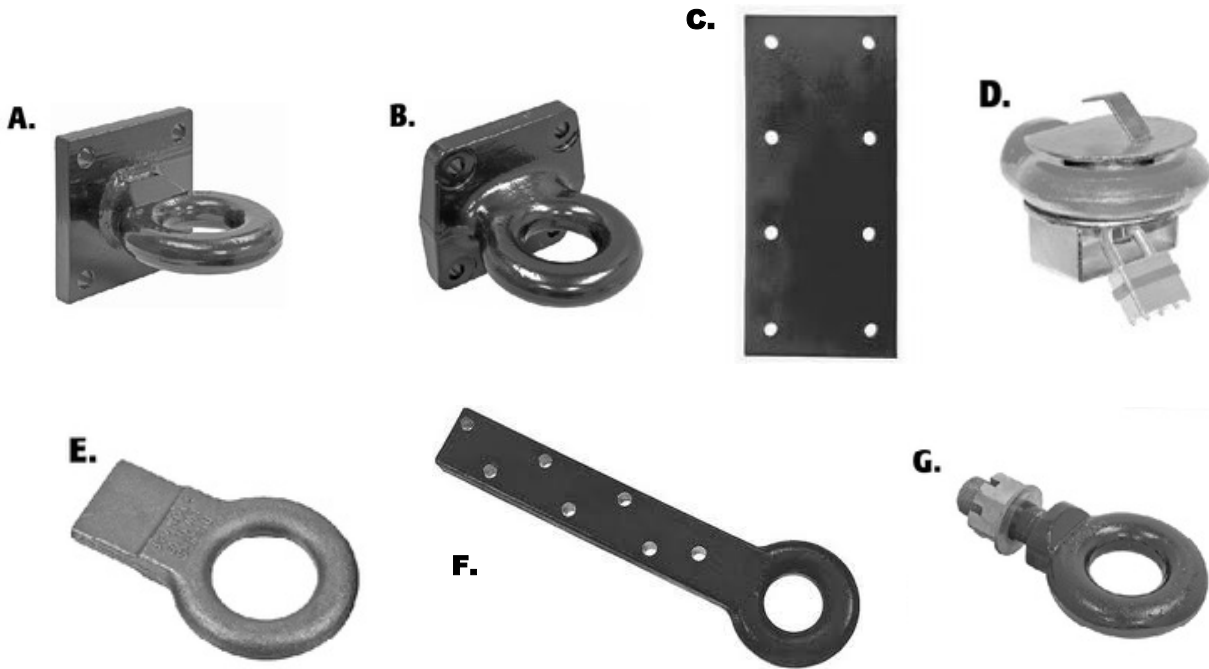
PART#	SHANK DIMENSIONS	PLATE DIMENSIONS	PAIRS OF HOLES	M.V.L.	M.G.T.W.	STYLE
51-PM84	2" x 9"	5" x 3.75"	2	4,000 lbs	20,000 lbs	F
51-PM87	2" x 9"	5" x 7.38"	4	2,000 lbs	10,000 lbs	G
51-PM105	2" x 10.25"	5" x 5.75"	3	2,800 lbs	14,000 lbs	G
51-PM107	2" x 10.25"	5" x 7.38"	4	2,000 lbs	10,000 lbs	G
51-PM1012	2" x 14.5"	5" x 12.50"	7	2,000 lbs	10,000 lbs	H
51-PM25612	2.5" x 12"	5" x 6.13"	3	3,200 lbs	16,000 lbs	I

SWIVEL-TYPE PINTLE HOOKS



PART#	DESCRIPTION	M.V.L.	M.G.T.W.	STYLE
98-BP100A	15-Ton Forged Swivel-Type Pintle Hook	6,000 lbs	30,000 lbs	A
98-BP125A	15-Ton Forged Swivel-Type Pintle Hook	6,000 lbs	30,000 lbs	B
98-BP200	25-Ton Forged Swivel-Type Pintle Hook	6,000 lbs	50,000 lbs	C
98-BP225	25-Ton Forged Swivel-Type Pintle Hook	6,000 lbs	50,000 lbs	D
98-BP760A	Forged Heavy-Duty Swivel-Type Pintle Hook	12,000 lbs	60,000 lbs	E

DRAWBARS



PART#	DESCRIPTION	I.D. EYE	O.D. EYE	SECTION DRAWBAR	M.V.L.	M.G.T.W.	STYLE
99-DB-1250-15W	Welded 4-bolt Mount Drawbar	2 1/2"	5 1/2"	1 1/2"	7,000 lbs	42,000 lbs	A
99-DB-1250-15	Forged 4-Bolt Mount Drawbar	2 1/2"	5 1/2"	1 1/2"	7,000 lbs	42,000 lbs	B
99-DB-1385	Heavy-Duty Forged 4-Bolt Mount Drawbar, .78" mounting hole size	3"	6.24"	1 5/8"	15,000 lbs	60,000 lbs	B
99-DB-1394	Heavy-Duty Forged 4-Bolt Mount Drawbar, .89" mounting hole size	3"	6.24"	1 5/8"	19,000 lbs	90,000 lbs	B
98-TNP716625750	Trailer Nose Plate (3/4" thick, (8) 21/32" holes)	N/A	N/A	N/A	N/A	N/A	C
98-TNP716750100	Trailer Nose Plate (1" thick, (8) 25/32" holes)	N/A	N/A	N/A	N/A	N/A	C
99-LW10	Forged Steel Drawbar	2 1/2"	4 1/2"	1"	1,000 lbs	10,000 lbs	E
99-DB-1228-1	Forged Steel Drawbar	2 1/2"	5"	1 1/4" x 1 1/2"	4,000 lbs	20,000 lbs	F
99-DB-1235	Forged Steel Drawbar	3"	6 1/4"	1 5/8"	7,000 lbs	35,000 lbs	F
99-DB-1238	Forged Alloy Steel Drawbar	3"	6 1/4"	1 5/8"	4,500 lbs	22,000 lbs	F
99-DB-1245	Forged Steel Drawbar	2.38"	5.64"	1 5/8"	8,000 lbs	40,000 lbs	F
99-DB-1250-3	Forged Alloy Steel Drawbar w/ Nut	2 1/2"	5 1/2"	1 1/4" x 1 1/2"	3,000 lbs	15,000 lbs	G
99-DB-1249-2H	Forged Alloy Steel Drawbar w/ Nut	3"	6 1/4"	1 5/8"	9,000 lbs	45,000 lbs	G
01-BDL253	Drawbar Lock	N/A	N/A	N/A	N/A	N/A	D

LUNETTE EYE & CHANNELS

A.



B.



PART#	DESCRIPTION	M.V.L.	M.G.T.W.	STYLE
30-16137	12.5-Ton Forged Eye, 3" ID	3,000 lbs	25,000 lbs	A
26-B18128	Eye w/ 3 Position Channel & Bolt Kit	2,000 lbs	12,000 lbs	B
26-08978	3-Position Channel Only	2,000 lbs	12,000 lbs	N/S
26-08979	5-Position Channel Only w/ Gussets	2,000 lbs	12,000 lbs	N/S
26-B9909	3-Position Heavy-Duty Channel Only w/ Gussets	2,000 lbs	20,000 lbs	N/S
26-B9912	5-Position Heavy-Duty Channel Only w/ Gussets	2,000 lbs	20,000 lbs	N/S
26-09020	Bolt & Nut Kit (2 each) 5/8-11 x 4 1/2 GR 8	N/A	N/A	N/S
26-09021	Bolt & Nut Kit (2 each) 5/8-11 x 5 GR 8	N/A	N/A	N/S

RECEIVER TUBES & EXTENSIONS

PART#	DIMENSIONS	STYLE
50-E-911	1 1/4" I.D. x 6" Tube	A
50-RT25806	2" I.D. x 6" Tube	A
50-RT25808	2" I.D. x 8" Tube	A
50-RT25812	2" I.D. x 12" Tube	A
50-RT25818	2" I.D. x 18" Tube	A
50-RT25824	2" I.D. x 24" Tube	A
50-RT25836	2" I.D. x 36" Tube	A
50-RT25848	2" I.D. x 48" Tube	A
51-1804055	2" I.D. x 6" Tube	B
50-RT255808	2 1/2" I.D. x 8" Tube	A
50-RT255812	2 1/2" I.D. x 12" Tube	A
50-RT255818	2 1/2" I.D. x 18" Tube	A
51-RTA214	2" to 1 1/4" Receiver Tube Adaptor	D
51-RTA252	2 1/2" to 2" Receiver Tube Adaptor	C



PART#	DESCRIPTION	M.V.L.	M.G.T.W.	STYLE
51-1804030	1 1/4" to 2" Hitch Adaptor	300 lbs	N/A	E
51-1804035	2" to 1 1/4" Hitch Adaptor	300 lbs	3,000 lbs	F
51-1804003	7" Extension for 2" Receiver	Reduces Hitch Capacity by 1/3		G
51-1804005	12" Extension for 2" Receiver	Reduces Hitch Capacity by 1/3		G
51-1804007	18" Extension for 2" Receiver	Reduces Hitch Capacity by 1/3		G
51-RVA24	RV Bumper Receiver Hitch	—	—	H
51-1804060	Universal Receiver Hitch	350 lbs	3,500 lbs	I

HITCH PINS

PART#	SIZE	STYLE
80-66100	1/2 x 4-1/4"	A
80-66103	5/8 x 4-1/4"	A
80-66105	5/8 x 6-1/4"	A
80-66115	3/4 x 6-1/4"	A
80-66120	7/8 x 6-1/4"	A
80-66125	1 x 6-1/4"	A
80-66130	1-1/8 x 6-1/4"	A
08-500	1/2" x 3"	B
08-613A	5/8" x 3-1/2"	B



A



B

SNAPPER PINS

PART#	SIZE (PIN DIAMETER X USEABLE LENGTH)
01-1416	1/4 x 1-3/4"
01-1422	1/4 x 2-1/2"
01-1435	1/4 x 3-1/2"
01-51622	5/16 x 2-1/2"
01-3822	3/8 x 2-3/8"
81-P11C (Pin w/ 8"chain)	1/4" x 1-1/2"



LINCH PINS

PART#	SIZE
80-66000	1/4" x 1-3/4"
80-66003	3/16" x 1-3/8"
80-66006	5/16" x 1-3/4"
80-66010	7/16" x 1-3/4"
80-66015	7/16" x 2"

